

# HSAJET® MiniTouch

PREMIUM MTHP4

## HP TIJ 2.5 technology

The HSAJET® MiniTouch is based on reliable HP TIJ 2.5 technology which delivers consistent, high-quality, fast printing, exceptional value, and ease of use.

## Robust design

The elegant black aluminium casing underlines the robust design, making it perfect for being installed in production environments.

A USB port is positioned on the side of the MiniTouch. A small cover protects it when not in use.

## 5.7" Touch Interface

Use the touch pen or simply a pointed finger to control the MiniTouch. Illustrative, easy-to-understand icons lead users through all phases of building a print job to make printing simple and fast.

## Easy to integrate and use

The controller's small size enables it to fit wherever you want it. Using cables up to 15 m long, the controller can be mounted far from the actual point of printing. It can be operated straight from the touch interface or by using the remote controlling protocol, providing yet another integration tool.

## Premium controller for Premium printheads

Our MiniTouch Premium version is made specifically for our Premium printheads, made from black powder-coated aluminium.

The Premium printhead has a stainless-steel footplate, which ensures that the print head is completely free of static electricity. Furthermore, the footplate encloses the nozzle area to avoid air turbulence and provide optimum print quality for high-speed printing. Read more about the Premium printheads in separate flyer.

## Choose from ½"-2" printheight

The HSAJET® Premium MiniTouch MTHP4 can control print height up to 2", either as single heads or in a combination of 1-, 2-, and 3-pen printheads.

Our Premium controllers and printheads are robust and well-suited for harsh industrial environments. The MiniTouch is ideal for being integrated into packaging lines, webs, inserters, folders or collators



## No time between prints

While the first print is being executed, you are able to setup the next layout for printing. Once the first layout has been printed, you can execute the prepared layout right away.

## Advanced administrator options in software

Flexible user-level management guarantees that the correct data is printed. You are also able to grant user rights as desired and protect the data with a unique password. In addition, content may be filled using a prompt which, as an optional feature, must be validated by a different user to guarantee accuracy.

The controller is preloaded with a number of language files to provide menus in different languages, as well as regional month and day names.

## Print at breakthrough speeds of up to 300 m/min (984 ft/min) in 300 x 150 DPI

- GRAPHICS
- TEXT (ALPHANUMERICAL)
- COUNTERS
- PRINTLOG
- SHIFT CODES
- LINEAR & 2D BARCODES\*
- DATE & TIME (REAL-TIME & ADJUSTED)
- WINDOWS FONTS

\* For information on specific barcodes, please go to [www.hsasystems.com](http://www.hsasystems.com)

# Technical Details

## HSAJET® MINITOUCH PREMIUM MTHP4

### Technology

HP TIJ 2.5

### Print height

Up to 50.8 mm / 2"

### Printheads

1-, 2-, 3- or 4-pen Premium printheads

### Print distance

0.5-5.0 mm dependent on ink and speed, typically 0.5-2.0 mm (nozzle to print surface)

### Voltage

100-240 VAC

### Memory

2 GB internal

### Screen

5.7" touch screen

### Design software

MiniDraw (PC) or on controller

### Software menu language

English (multiple languages)

### Print functions, e.g.

Prompt  
User-defined print log

### Print options

Variable DPI  
Left/Right, Upside-down  
Other side, Bidirectional  
Mirrored

### Layout options

Max. length 65000 px  
(~277 cm in 600 DPI)  
Object rotation in 90° interval  
Works with mm/inch/point/pixel

### Remote controlling

Start/Stop  
Exchange job  
Change field content per print  
Change print preferences/parameters

### Interface

Power supply (SUB D15 F)  
Printhead connections (4x RJ45)  
RS232 (serial)  
Ethernet (LAN) 100 Mbit  
USB 2.0  
Control connection (SUB D15)  
Encoder input 3-33 V (SUB D9)  
Input/Output 3-33 V (SUB D9)

### Signals

Low ink signal  
Print signal  
Print message signal  
Signal-generator

Vertical resolution (DPI)	Horizontal resolution 75-2400 DPI (variable)* speed examples (m/min)			
	75 DPI	300 DPI	600 DPI	2400 DPI
600 DPI	304	76	38	10
300 DPI high speed	608	152	76	19
300 DPI (row A)	304	76	38	10
300 DPI (row B)	304	76	38	10

\*) Dependent on controller and software

### Complies with

CE directives

### Housing

Black powder-coated aluminium

### Weight

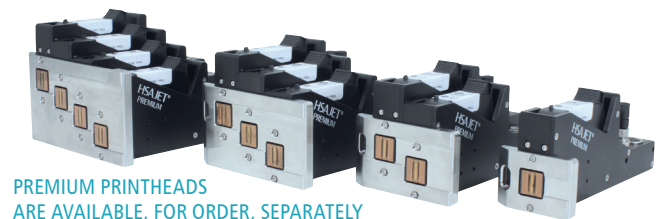
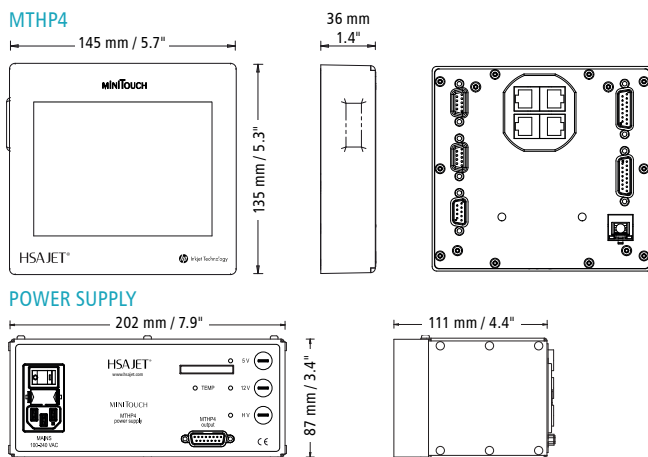
MTHP4: 0.87 kg / 1.92 lbs  
Power supply: 1.5 kg / 3.3 lbs

### In the box

- MiniTouch Premium controller
- Power supply
- USB Key / Stylus pen
- CD w. software
- 25-pin M-M cable for power supply, 2.0 m

### Accessories

- Sensor and encoder
- Bridges and brackets
- Mountings (Inocon 53 mm)
- Premium printheads (see other flyer)
- Standard cables and Hi Power cables for Premium printheads (see Premium Printheads flyer)



PREMIUM PRINTHEADS ARE AVAILABLE, FOR ORDER, SEPARATELY

CHECK OUR WEBSITE FOR THE LATEST VERSION OF THIS DATASHEET

DISTRIBUTOR:



HSA Systems (head offices)  
DENMARK | SKOVUNDE +45 4494 0222 | ODENSE +45 6610 3401

HSA Systems (subsidiary offices)  
FRANCE +33 1 4815 5050 | GERMANY +49 5257 938 6777

www.hsasystems.com | mail@hsasystems.com